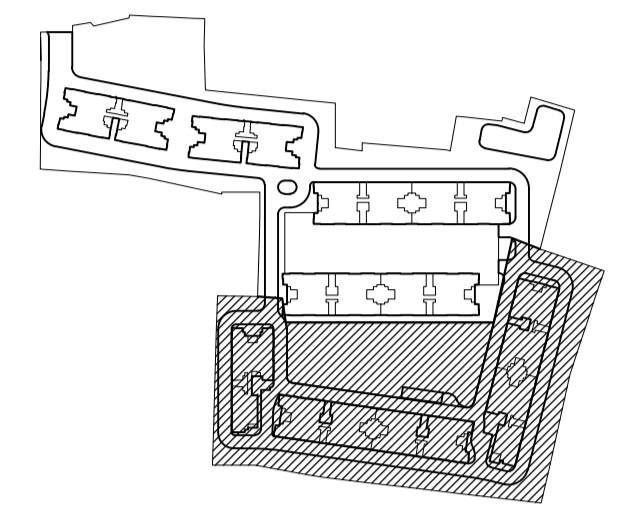


- Notes:
1. All dimensions are in millimeters.
 2. All levels are in millimeters, unless otherwise mentioned.
 3. This drawing shall be read, not scaled either in part or full.
 4. This drawing shall be read in conjunction with relevant architectural, structural and all services drawings.
 5. Any discrepancy, if so, shall be immediately brought to the notice of the Consultants before start of construction work.
 6. This drawing shall be used for the purpose issued and shall not be used for any other purpose without the written consent from the Consultants.
 7. Only written dimensions to be followed.

Key Plan:



Hatch Pattern:

Client:
PS Vinayak Complex LLP
122/1R, Manoharpukur Road,
Kolkata - 700026, West Bengal, India

Landscape Consultant:
Landscape Tectonix Limited
222/17, Phulthamonthon Sai 2 Road,
Salakhammassop, Thawiwattana,
Bangkok - 10170, Thailand
Tel: +66-2-449-0035 6
Email: supasit@landscapeitectonix.com
Url: www.landscapeitectonix.com

TECTONIX

Services (MEP) Consultant:
Sunil Nayyar Consultants Pvt. Ltd.
Head Office : 206- 206A & 305A-305B, 2nd & 3rd Floor,
Time Centre, DLF Golf Course Road, Sector-54,
Gurgaon-122002, Haryana, India
Tel: +91-124-4803800 (30 Lines)
Fax: +91-124-4803817
E-mail: sncgurgaon@snc.co.in
Url: www.snc.co.in

SNC

Design Architect:
Smallwood, Reynolds, Stewart,
Stewart International, Ltd.
One Piedmont Center, Suite 303,
3565 Piedmont Road, Atlanta, Georgia - 30305

Civil & Structural Consultant:
M.N. Consultants (Pvt). Ltd.
ISO 9001:2008 CERTIFIED
"MNC HOUSE"
1516, Rajdanga Main Road, Kolkata - 700107.
Tel: +91-33-40145700
Fax: +91-33-24418083
Email: mnconpl2008@gmail.com



Executing Architect:
M N Consultants One Design Solutions
1516, Rajdanga Main Road, Kolkata-700107.
Tel: +91-33-40165700
Email: mncods@gmail.com
Url: www.mnc-one.com

MNC.ONE

R4				
R3				
R2				
R1				

R.no.	Description	Date	Checked	Approved

Revisions:

Project:
THE 102
D. H. ROAD, JOKA, KOLKATA, INDIA

Drawing Title:
FIRE FIGHTING BASEMENT LAYOUT

Scale: 1:150	Date: 10-JULY-2018	N
Drawn by: KAPIL	Checked by: A N	

Sanction Dwg Contract Document Advance Copy
 Design Development Construction Dwg As-Built Dwg

Drawing No: JKA-A20-B1-SNC-FF-01 Rev. No: R1 Sheet: A1

Job No: 2016-2017/21/JKA

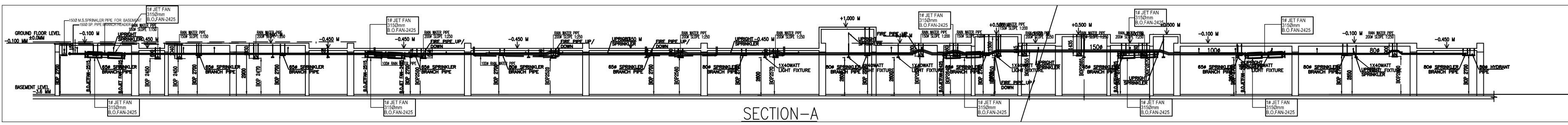


THIS DRAWING IS THE PROPERTY OF "M.N. CONSULTANTS ONE DESIGN SOLUTIONS" AND IS MERELY LENT FOR LIMITED USE SUBJECT TO THE CONDITION THAT IT SHALL NOT BE REPRODUCED LENT OR USED IN ANY WAY DETRIMENTAL TO OUR INTEREST

S. O. P. 1
X = 0.00
Y = 0.00
D. P. - 1
: 0.00
: 0.00

TOP OF ALL FIRE WATER SUPPLY PIPES ARE RUNNING 50 MM BELOW BEAM EXCEPT SOME PIPES WHICH ARE RUNNING IN SLEEVE AS SHOWN AND WHEN CLASHING WITH OTHER PIPES FIRE PIPE WILL CROSS OVER AS SHOWN
FIRE PIPE
OTHER PIPE

BOTTOM OF CABLE TRAY WILL BE 300MM BELOW BEAM EXCEPT SOME LOCATION WHERE DUCTING OR PIPES CROSSING THEN THE CABLE TRAY WILL CROSS SERVICES AS SHOWN.
PLUMBING PIPE
CABLE TRAY



SLEEVE LEGEND:	
SPRINKLER HO. DIA OF PIPE	
1-2	250
3	300
4-5	400
6-10	500
11-20	650
31-50	800
61-100	1000
101-AND ABOVE	1500

FIRE FIGHTING LEGEND:-	
○	1500 SPRINKLER PIPE
○	1000 SPRINKLER PIPE
○	800 DRINK PIPE
○	FIRE HOSE CHARGE
○	FLOW SWITCH
○	RELATION VALVE
○	FIRE WALL TYPE SPRINKLER
○	PENDANT TYPE SPRINKLER
○	FIRE WALL TYPE SPRINKLER (EXTENDED THROW)
○	1000 TYPE FIRE EXT. (ASIS)
○	1000 TYPE FIRE EXT. (ASIS)
○	WATER CURTAIN NOZZLE
○	DELUGE VALVE